

SCH Technologies

Conformal Coating Services, Equipment,
Technical Support & Humiseal Materials.

IB100 & IB101 Conformal Coating Inspection Booths

Overview

The IB101 Single & Double Inspection Booths are designed specifically for practical conformal coating inspection and finishing of printed circuit boards (PCBs).

An important point in conformal coating inspection & finishing is to create the optimum environment where an operator can easily inspect coated circuit boards without fatigue, providing the highest quality results for the conformal coating process and keep the operator safe from the harmful effects of solvents.

Designed for exactly this process of manual inspection, these compactly designed systems offer an enclosed extraction area for all conformal coatings including solvent based coatings safely.

Specification

The IB100 has the following standard features:

- One set of Twin UVA lighting tubes fitted in the ceiling enclosure behind a UV transmittable laminate panel for in-situ inspection, with individual switch.
- Single spigot inlet for connection to suitable extraction, for low level use of solvent coatings.
- Two ESD Points for left and right-handed operators with an earth point at rear.
- Externally Powder Coated framework to give lasting cosmetic finish.

The IB101 has the following standard features:

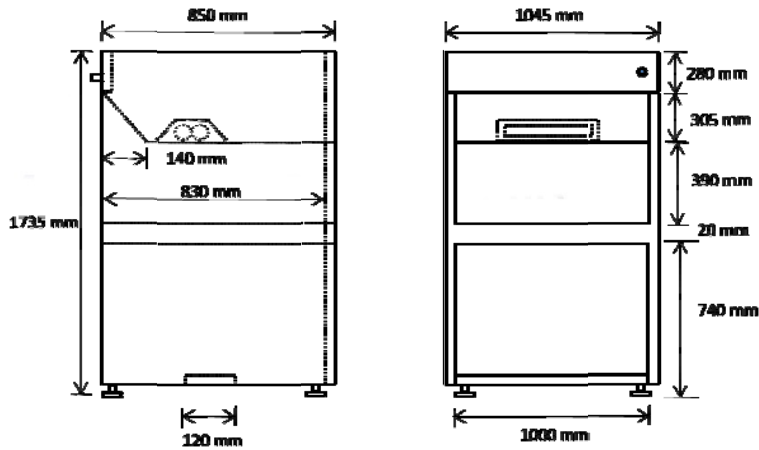
- Two sets of Twin UVA lighting tubes fitted in the ceiling enclosure behind UVA transmittable laminate panels for in-situ inspection, with individual switch.
- Dual spigot inlets for connection to suitable extraction, for low level use of solvent coatings.
- Two ESD Points for left and right-handed operators with an earth point at rear.
- Externally Powder Coated framework to give lasting cosmetic finish.



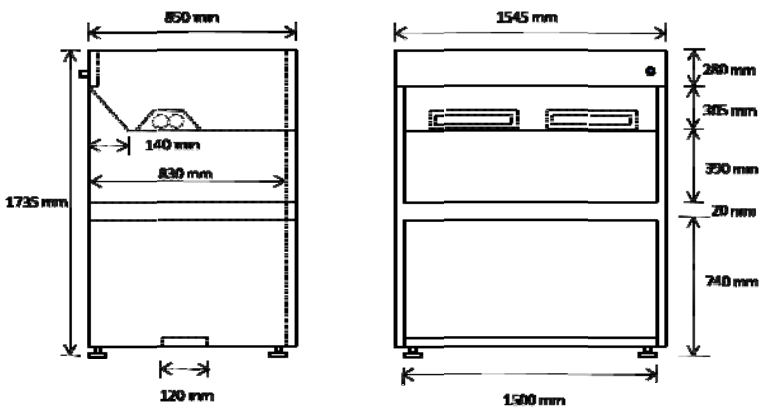
SCH Technologies

Conformal Coating Services, Equipment,
Technical Support & Humiseal Materials.

Schematic of IB100 Layout



Schematic of IB101 Layout



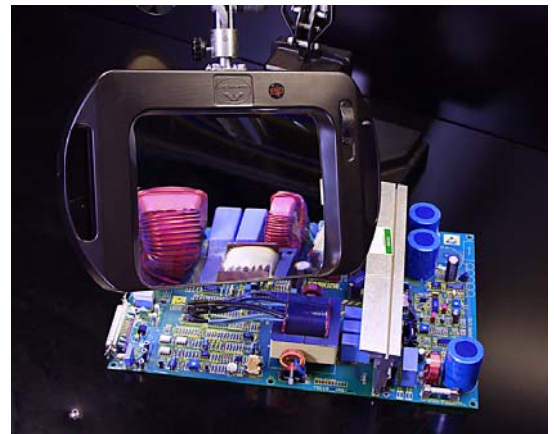
System Specification

Single Inspection Booth

Width: 1045 mm (41.1")
Height: 1735 mm (68.3")
Depth: 850 mm (33.5")
Height of Aperture: 390 mm (15.4")
Width of Aperture: 1000 mm (39.4")

Double Inspection Booth

Width: 1545 mm (60.8")
Height: 1735 mm (68.3")
Depth: 850 mm (33.5")
Height of Aperture: 390 mm (15.4")
Width of Aperture: 1000 mm (39.4")



Options

- Solvent Exposure alarm fitted in-situ or stand alone
- Optical UV Magnifier for x10 inspection power
- Teflon Coated Panels

Facilities

- 3A Single phase electricity supply
- Single Inspection Booth: 420 cfm with one 150mm diameter extraction connection to provide
- Double Inspection Booth: 630 cfm with one 150mm diameter extraction connection to provide

SCH Technologies offer

- Conformal coating Subcontract Services
- Global supply of Conformal Coating Application Equipment
- Humiseal Conformal Coatings
- Conformal Coating Training courses
- Conformal Coating Consultation & troubleshooting

PLEASE CHECK OUR WEBSITE FOR DETAILS

www.conformalcoating.co.uk

SCH Technologies is a Trading Name of SCH Services Limited
Unit B, 4 Wharnclyffe Street, Barnsley, South Yorkshire. S70 6BP
Tel: +44 (0)1226 297711 Fax: +44 (0)1226 297733
www.conformalcoating.co.uk
sales@schservices.com